

VM1 Video Matrix

Product Brief



VM1 Video Matrix



VMR1 Receiver

The VM1 Video Matrix works with a multiroom audio system to distribute component video over CAT-5e cable. Capable of handling high-definition component video signals up to 1080p, it also provides optional up-conversion of composite and S-video signals to component video.

Designed for use with Russound RNET® multiroom systems, the VM1 provides seamless integration with the Russound CAM and CAV systems. The VM1 also links directly to the Russound CAA system through the Controller Link port and works with other systems through RS-232 command protocol via USB or DB9 ports.

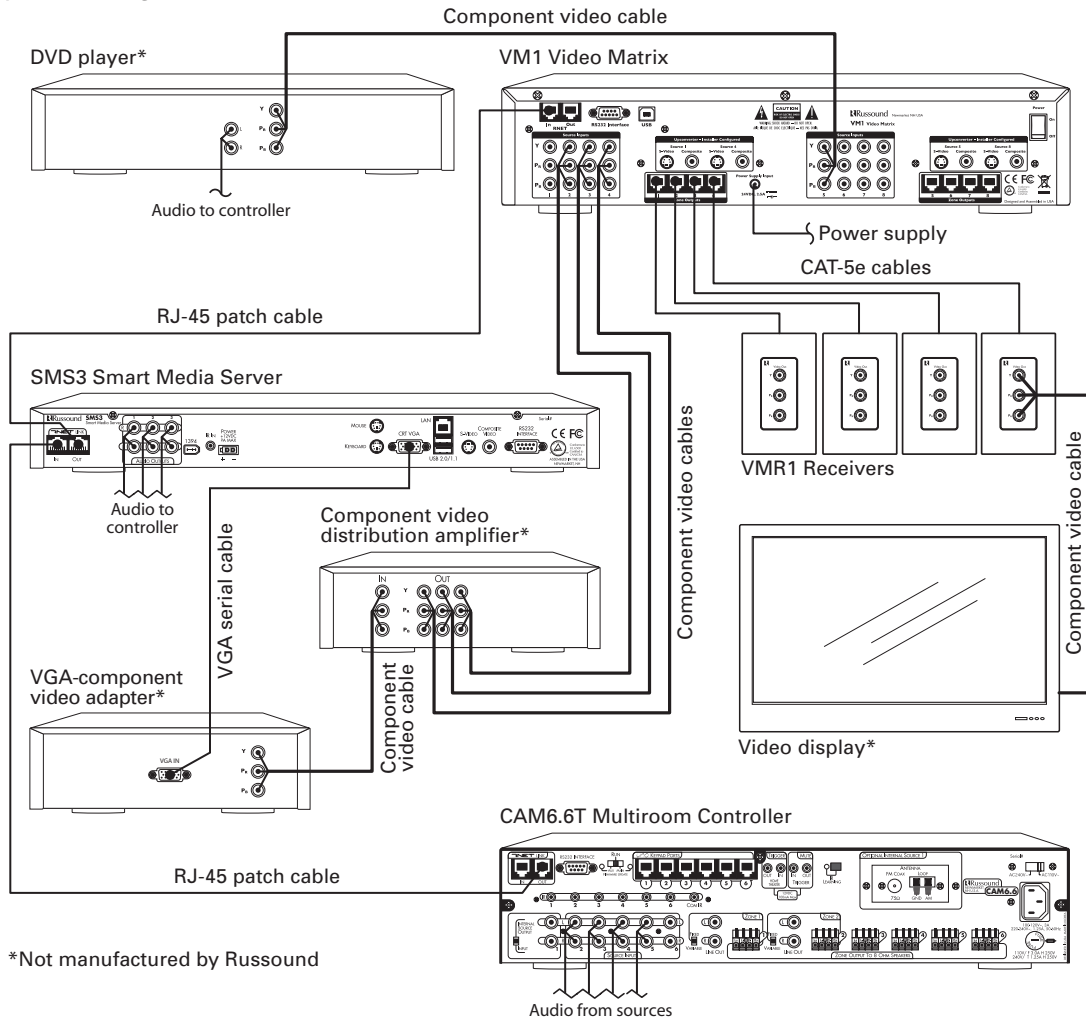
The VM1 selects sources (satellite, DVD, etc.) for specific rooms by source selection commands made by the controller. This permits the Video Matrix to distribute the component video signals in unison with the audio signals. Active video circuitry prevents signal loss and interference.

Available with either single or dual format up-converters, each converter supports two legacy sources, allowing for a maximum of four source format up-conversion. This eliminates the need to switch video inputs on the video display, creating an easy to use video distribution system.

All configurations of the Video Matrix include the appropriate number of VMR1 single-gang Decora® receivers, which decode the CAT-5e signal back to RGB analog component video output.

Features	Advantages	Benefits
High Definition (HD) capable	Distributes up to 1080p component video resolution	Compatible with high-quality video displays and most HD video sources
Balanced video over CAT-5e	Single cable instead of three coaxial cables with no loss in video signal	Faster and simpler installation with improved picture over traditional wiring
Optional format up-conversion	Allows legacy video sources with composite and S-video signals to be used with component video displays	Converts signal to component video to eliminate display input selections per source signal type (no scaling)
Seamless Russound system integration	Sends video in unison with RNET and CAA66 distributed audio systems	Connect to Russound system and VM1 works without programming
No audio and video latency	Audio and video signals are fully synchronized	No annoying signal delay makes integration complete
4x4 and 8x8 system configurations	Modular system construction for multiple video applications	Multiple models to fit many system needs

VM1 Typical Configuration



The Video Matrix is available in five configurations:

- VM1 4 – basic 4x4 switching from component video sources only
- VM1 4UC – 4x4 component video switching with up-conversion for S-video and composite on sources 1 and 4
- VM1 8 – basic 8x8 switching from component video sources only
- VM1 8UC – 8x8 component video switching with up-conversion for S-video and composite on sources 1 and 4
- VM1 8UC2 – 8x8 component video switching with up-conversion for S-video and composite on sources 1, 4, 5 and 8

The VM1 also includes the following:

- 24 VDC power adapter
- Rear-panel power switch
- Front-panel LED power and traffic indicators
- Optional rack ears



Designed from the ground up by Russound Engineers, RNET technology delivers Sound Intelligence to multiroom audio. RNET provides intelligent audio features; metadata delivered to keypads, pre-programmed components and fully tested products. The result is unsurpassed performance, faster installation and exceptional end-user satisfaction. From controllers, keypads and touchscreens to source equipment, RNET offers everything you need.



5 Forbes Road, Newmarket, New Hampshire 03857 USA

603.659.5170

www.russound.com

Since 1967, innovation, quality and reliability have been the core of the Russound product tradition. Today, Russound offers everything for enjoying multiroom audio-video in your home. All audio-video distributed solutions are built to high standards and designed with the unique consideration of making products that are a pleasure to live with and enjoy.

©2007 Russound. All rights reserved. All trademarks are the property of their respective owners. Specifications are subject to change without notice. Russound is not responsible for typographical errors or omissions.

LR2210-0001 06/07