

Data Sheet

VBHD Component Video Balun Kit

HDTX Transmitter, HDRX Receiver



The VBHD Component Video Balun Kit provides a pair of active baluns for sending analog component video over a single CAT-5 cable. This allows signals to travel longer distances without degradation or interference than with traditional component video cable solutions.

The kit includes an HDTX transmitter, an HDRX receiver, and an 846C power adapter, which connects to the transmitter. The transmitter's active circuitry automatically adjusts the output level to compensate for distance in the CAT-5 cable, thus eliminating signal loss up to 500 feet (152 m).

By using balanced signals, the transmitter and receiver avoid direct electrical connections between

the source and destination devices. This eliminates ground loops, which can cause video hum bars. The balanced signals also resist interference, resulting in clearer video transmission.

The VBHD kit is compatible with analog high-definition component video signals up to 1080i. It can be used to connect a remote source to a home theater receiver or to send the output of an A/V receiver to a remote TV.

The transmitter and receiver are compact modules for convenient installation. They can be mounted to any flat surface.

Specifications

HDTX Transmitter

Input connectors: (3) component video RCA jacks (P_R, Y, P_B)

Output connector: 8-pole modular RJ-45 jack, T568A

Weight: 2.4 oz (67 g)

HDRX Receiver

Input connector: 8-pole modular RJ-45 jack, T568A

Output connectors: (3) component video RCA jacks (P_R, Y, P_B)

Weight: 2.3 oz (66 g)



VBHD Kit

Cable type: CAT-5

Maximum cable length: 500 ft (152 m)

Video format: Analog component up to 1080i

Video bandwidth: 450 MHz +0/-3 dB

Video signal level: 0.5 V to 2 V

Video signal gain: Unity

Power requirement: 12 VDC 200 mA max (adapter included)

Module dimensions: 2.75" W x 2.64" H x 1.1" D (7.0 x 6.7 x 2.8 cm)



Accessories

AWCAT5 4-pair, 24-gauge solid copper CAT-5e cable, 1000'

MOD-RJ45CAT5 RJ-45 modular jack for wall plate, box of 6

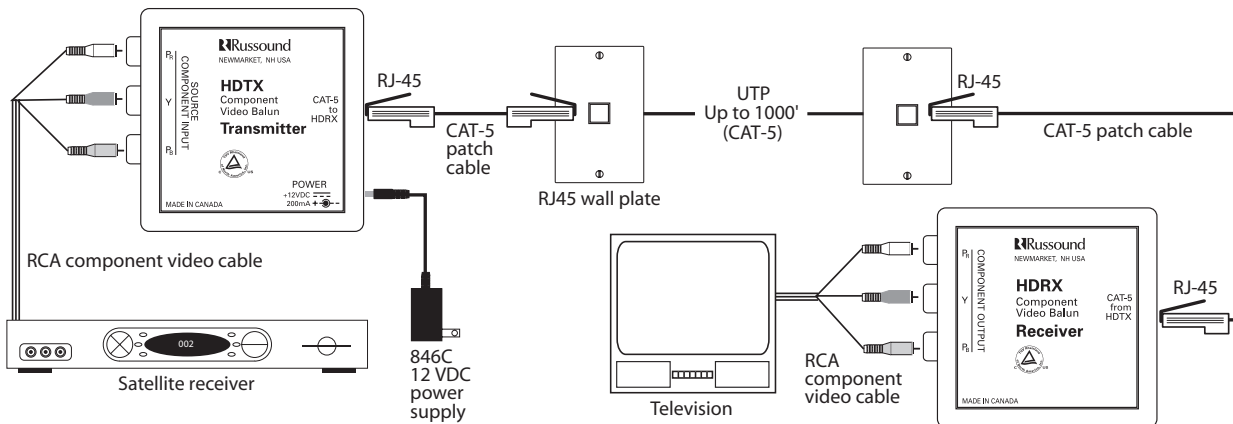
PM-MOD1D Decora® wall plate for modular jack, box of 6

PM-MOD1S Standard wall plate for modular jack, box of 6



Conforms to
UL 6500
Certified to
CAN/CSA

Typical Application



Since 1967, innovation, quality and reliability have been the core of the Russound product tradition. Today, Russound offers everything for enjoying multiroom audio-video in your home. All distributed audio-video solutions are built to high standards and designed with the unique consideration of making products that are a pleasure to live with and enjoy.

Russound 5 Forbes Road, Newmarket, New Hampshire 03857 USA 603.659.5170 www.russound.com

©2006 Russound. All rights reserved. All trademarks are the property of their respective owners. Specifications are subject to change without notice. Russound is not responsible for typographical errors or omissions. 04/06