

## Data Sheet

# RNET A/V Encoder and Decoder

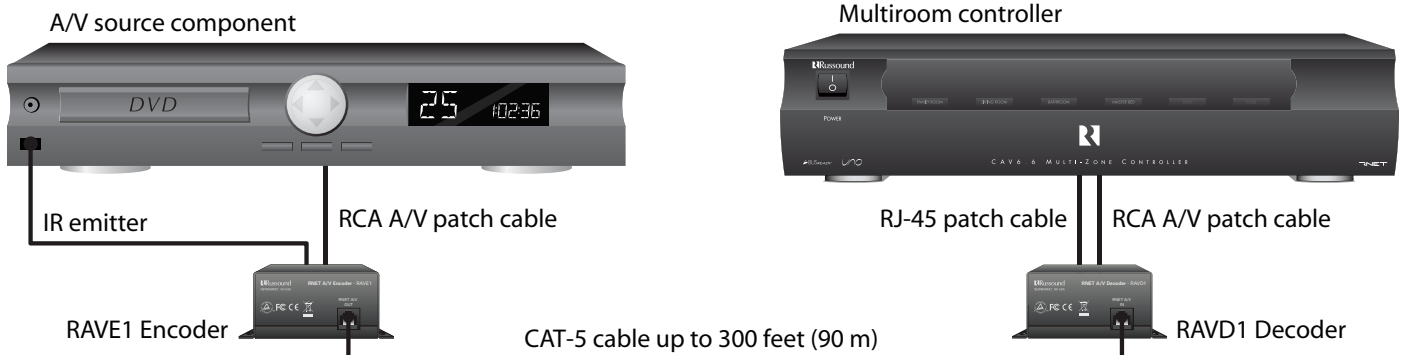
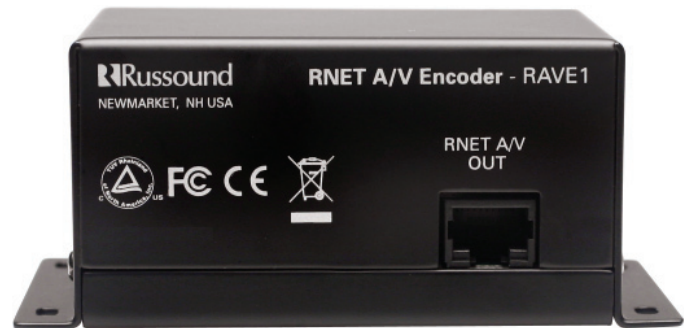
RAVE1, RAVD1

The RAVE1 Encoder and RAVD1 Decoder provide a convenient way to use a remote source component with a Russound RNET® or other multiroom audio-video system. Using RNET A/V technology, they connect with a single CAT-5 cable to convey audio, video, and control signals up to 300 feet (90 m) between the source and the central system controller.

The RAVE1 Encoder connects directly to the source at the remote location, providing RCA jacks for stereo audio and composite video. For source control, the Encoder provides an RNET Link port for Russound RNET sources and an IR emitter jack for infrared-controllable sources. An RNET A/V port provides the CAT-5 connection with the Decoder.

The RAVD1 Decoder connects to a source input on the multiroom system controller through RCA jacks for video and audio. It provides RNET Link ports for connecting to an RNET system and an IR jack for connecting to an IR emitter output on the controller. An RNET A/V port connects via CAT-5 to the Encoder.

Both devices include 12 VDC power supplies. Housed in compact metal boxes, they easily mount on any flat surface.



*Using RNET A/V technology, the RAVE1 and RAVD1 allow the use of remotely located sources with multiroom systems*

# Specifications

## RAVE1 Encoder

- RNET A/V connector: 8-pole RJ-45 jack
- Input connectors: (1) composite video RCA jack  
(2) left and right audio RCA jacks
- IR emitter connector: 2-pole 0.125" (3.5 mm) TS jack
- RNET Link connector: 8-pole RJ-45 jack
- Power requirement: 12 VDC 1 A (power supply included)
- Mounting method: Surface
- Dimensions: 4.25" W x 1.82" H x 2.5" D  
(10.8 x 4.6 x 6.4 cm)
- Weight: 10.0 oz (284 g)



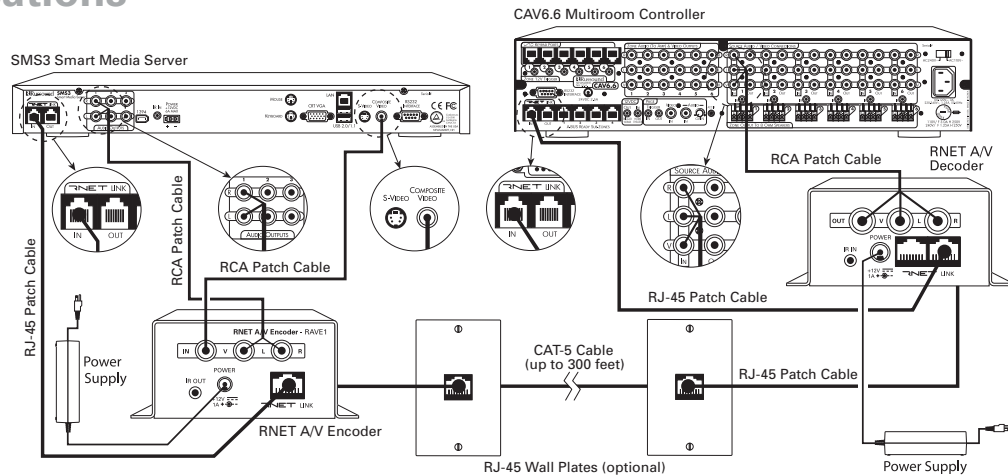
## RAVD1 Decoder

- RNET A/V connector: 8-pole RJ-45 jack
- Output connectors: (1) composite video RCA jack  
(2) left and right audio RCA jacks
- IR Input connector: 2-pole 0.125" (3.5 mm) TS jack
- RNET Link connectors: (2) 8-pole RJ-45 jacks
- Power requirement: 12 VDC 1 A (power supply included)
- Mounting method: Surface
- Dimensions: 4.25" W x 1.82" H x 2.5" D  
(10.8 x 4.6 x 6.4 cm)
- Weight: 10.0 oz (284 g)

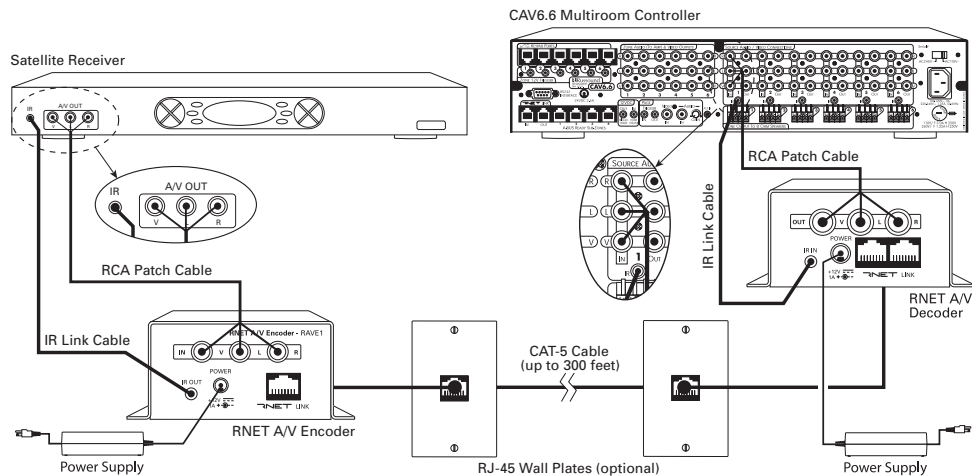


# Typical Applications

Connections for RNET control of source



Connections for IR control of source



5 Forbes Road, Newmarket, New Hampshire 03857 USA

603.659.5170

www.russound.com

Since 1967, innovation, quality and reliability have been the core of the Russound product tradition. Today, Russound offers everything for enjoying multiroom audio-video in your home. All audio-video distributed solutions are built to high standards and designed with the unique consideration of making products that are a pleasure to live with and enjoy.