



858

Decora® Style In-Wall Infrared Receiver

Instruction Manual



Patented

STATUS INDICATOR

To use the status indicator on the 858 connect the 12 Volt 100mA or higher power supply to the STATUS line of the 857 connecting block as shown in Figure 2. Plug the power supply into the switched outlet on the stereo receiver. When the receiver is on, the power supply will turn on the system status line and illuminate the LED Green of the 858. The status line can be turned on or off by setting the jumper on back of the 858 as shown in Figure 3.

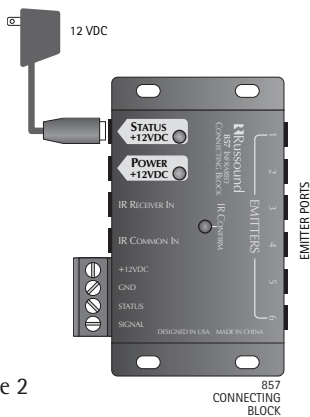


Figure 2

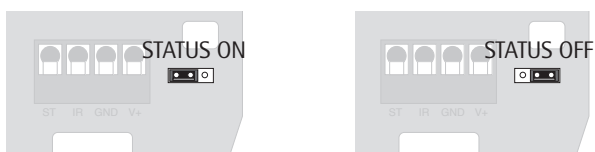


Figure 3

PRODUCT OVERVIEW

The 858 IR Receiver receives IR signals from a handheld IR remote control and relays this to the audio/video equipment for operation from another room. Mounts to a single gang J-Box using a Decora® cover plate.

FEATURES

- Stylish Decora® design
- Dual color LED - green for system status and blue for talk back
- Ultra thin design - mounts easily in any J-box or P-ring
- Wide band IR - receives IR from many types of remote controls

INSTALLATION

Connect the 858 to the 857 (or equivalent) connecting block using 2 twisted pair wire. Use one pair to connect GND (GROUND) and IR (SIGNAL). Use the other pair to connect ST (STATUS) and V+ (+12VDC). If the wire has a shield, connect it to the ground at both ends. See Figure 1 for detail of these connections.

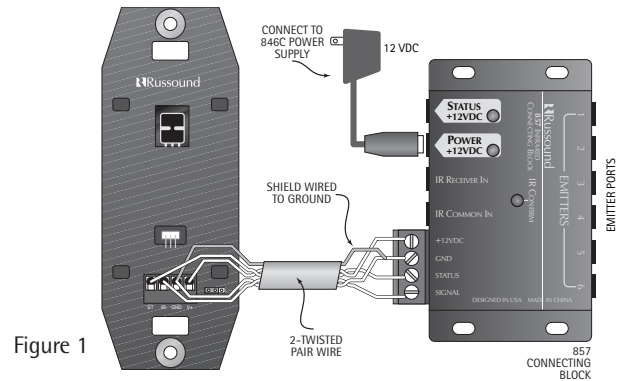


Figure 1

MOUNTING

Mount the 858 to the J-Box using the screws that are supplied. Mount the cover plate (not included) to the IR receiver. See Figure 4.

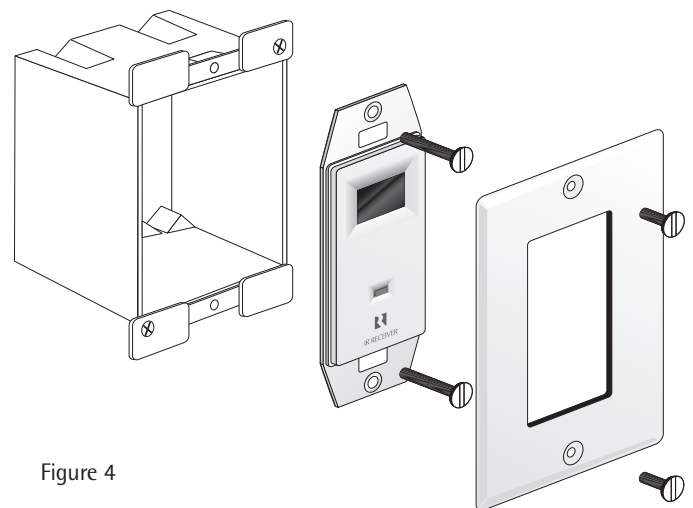


Figure 4

SPECIFICATIONS

- Receive Frequency: 36kHz to 58kHz
Transmit Frequency: 40kHz and 56kHz
Range: On Axis – 55ft to 80ft
30° Off Axis – 30ft to 55ft
Power: 12VDC 31mA max.
Status Power: 12VDC 3mA max.
Wire requirements: 2 twisted pair, with or without shield
Dimensions: 1 3/4"W x 4 5/16"H x 3/8"D
Weight: 1/2oz

LIMITED WARRANTY

The Russound 858 IR Receiver is fully guaranteed for two (2) years from the date of purchase against all defects in materials and workmanship. For this warranty to apply, the unit must be installed and used according to its written instructions. During this period, Russound will replace any defective parts and correct any defect in workmanship without charge for either parts or labor. Accidental damage and shipping damage are not considered defects under the terms of this warranty. Russound assumes no responsibility for defects resulting from abuse or servicing performed by an agency or person not specifically authorized in writing by Russound. If service is necessary, it must be performed by Russound. Damage to or destruction of components due to excessive power voids the warranty. In these cases, the repair will be made at the owner's expense. To return for repairs, the unit must be shipped to Russound at the owner's expense, along with a note explaining the nature of the service required. Be sure to pack in a corrugated container with at least 3 inches of resilient material to protect the unit from damage in transit.

Before returning a unit for repair, call Russound at (603) 659-5170 for a Return Authorization number. Write the RA number on the shipping label and ship to: Russound, ATTN: Service, 5 Forbes Road, Newmarket NH 03857

Russound sells product only through authorized Dealers and Distributors to ensure that customers obtain proper support and service. Any Russound product purchased from an unauthorized dealer or other source, including retailers, mail order sellers and online sellers will not be honored or serviced under existing Russound warranty policy. Any sale of products by an unauthorized source or other manner not authorized by Russound shall void the warranty on the applicable product.

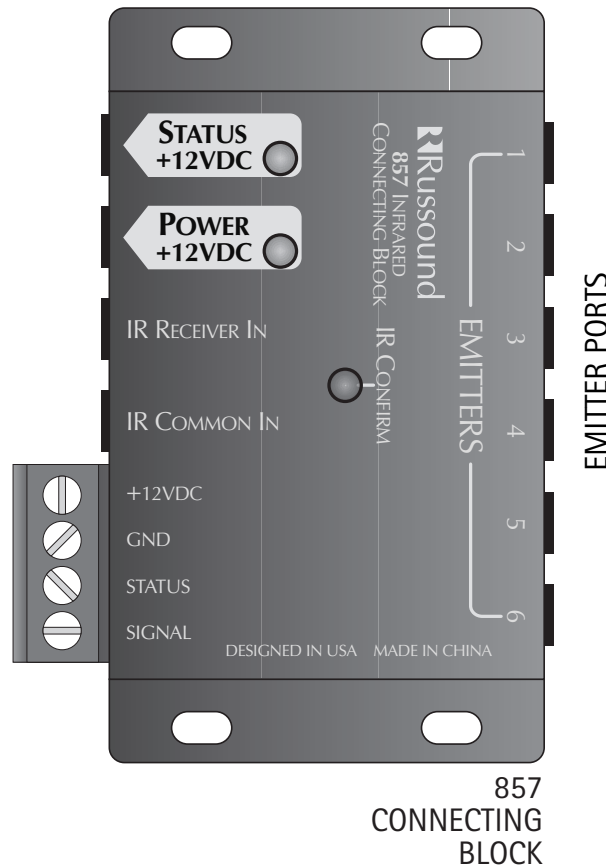
Decora® is a trademark of Leviton Corporation

Russound®

5 Forbes Rd. Newmarket, NH 03857, USA
Tel 603.659.5170 • Fax 603.659.5388
e-mail: tech@russound.com

Rev. 1 09/27/05

OTHER RUSSOUND PRODUCTS



Visit www.russound.com to view Russound's complete line of IR products.