

Data Sheet

UNO-TS2D

Desktop Smart Color Touchscreen

The UNO-TS2D is a desktop version of Russound's Smart Color Touchscreen for RNET® multiroom systems. The desktop design makes system control easily accessible from an office chair, sofa, or home theater seat. Its weighted base and nonskid pad assure stability on any flat surface.

A full-featured user interface, the UNO-TS2D offers touch-sensitive screen templates for source controls and responsive hard buttons for commands used most often. It operates in a manner similar to the Russound UNO-S2 keypad, but with audible feedback and a more detailed display of source functions.

The UNO-TS2D includes built-in screens to support most models of audio-video source components. These screens provide direct control of the sources for selecting programs.

Two-way communication makes the touchscreen especially informative with Russound RNET source components. When controlling the iBridge Dock, ST2-Series Smart Tuners, and SMS3 Smart Media Servers, it displays program information such as playlist, channel, theme, artist name, and song title. It also supports custom names for presets, banks, themes, and sources.

Display views

The main or "home" screen is the starting point for using the UNO-TS2D. It provides direct access to the system sources and favorite programs. The installer configures the main screen to match the RNET system source setup.

Zone preferences can be set through the Options screens. These include Do Not Disturb, Party Mode, audio adjustments, and screen brightness. Options for the installer are also located here.

The high-resolution LCD panel is easy to read and the soft keys are simple to use. The user can view the source playing and the system's status in real time.



When making volume adjustments, the touchscreen displays the volume level in the zone it's controlling.

Hard buttons and IR pass-through

Eight hard buttons frame the touchscreen, each of which performs a basic function. The buttons on the right side are disabled when the main screen is showing, but become active for other screens. Their functions are indicated by arrows and function names on the display next to the buttons.

The touchscreen includes an IR receiver behind a tinted window at the top of the bezel. This supports the use of system remotes and component remotes for control of both the RNET system and the sources.

Installation

The UNO-TS2D can be located within easy reach anywhere in the home—on a desk, counter, table, or nightstand.

The touchscreen connects to a wall plate with an RJ-45 patch cable. The wall plate connects to the RNET system with a single CAT-5 cable.

If more than one UNO-TS2D is used per controller, each touchscreen requires an SA-ZX3 splitter to provide adequate power. See the UNO-TS2D manual for details.

Specifications

Display

16-bit color LCD touchscreen
320 x 240 pixels, 3.75" diagonal

Controls

8 hard buttons for common commands
Context-sensitive soft keys on display

IR repeater

Remote control IR signal pass-through

Cable connection

RJ-45 patch cable to wall plate
CAT-5 cable from wall plate to controller

Power requirement

12 VDC, 350 mA (supplied through CAT-5 cable)

Note: An SA-ZX3 splitter may be required in some cases to provide adequate power. See the manual for details.

Colors available

White, black

Dimensions

5.92" W x 4.68" H x 5.38" D
(15.2 x 12.0 x 13.8 cm)

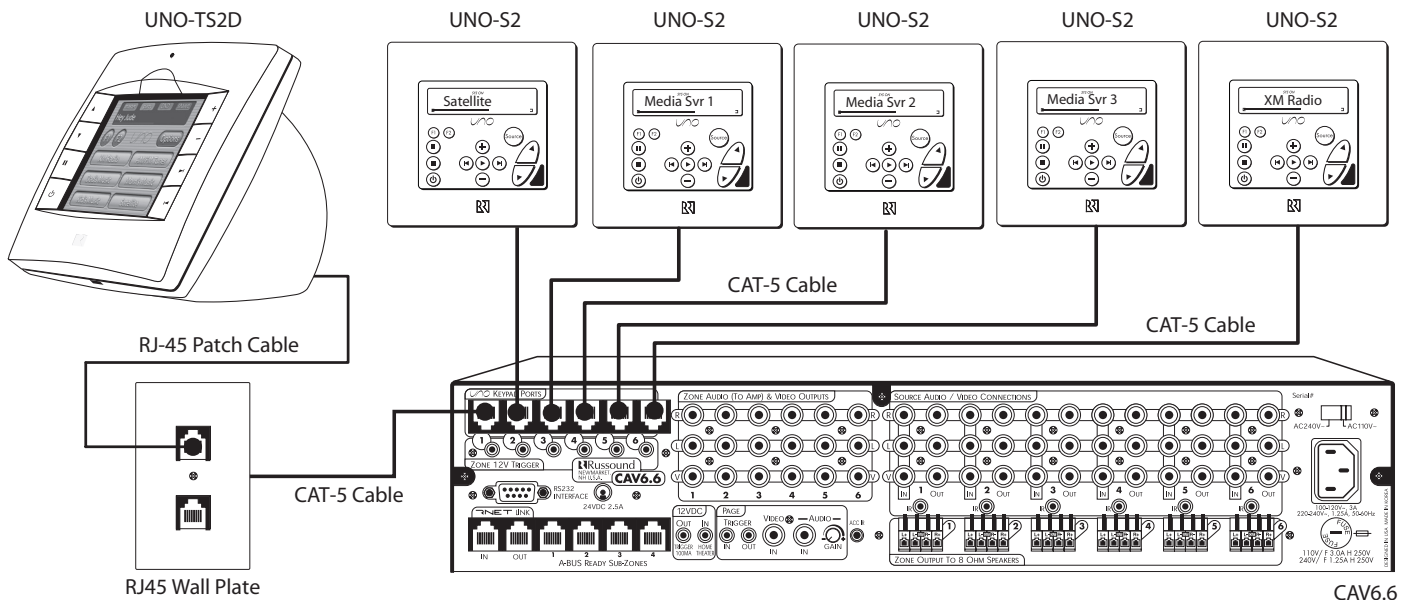
Weight

2.9 lb (1.3 kg)

RNET firmware versions required

CAV6.6 Rev. 3	2.01.16 or higher
CAV6.6 Rev. 4	3.01.10 or higher
CAM6.6	1.01.05 or higher
AM/FM module (CAM6.6)	1.01.01 or higher
XM module	2.00.05 or higher
SIRIUS module	1.00.10 or higher
ST2 Tuner chassis	3.00.10 or higher
SMS3 Media Server	2.00.07 or higher

Typical Application



Considerations

- The UNO-TS2D Desktop Touchscreen is not a portable device. It is designed to be placed on and operated from a flat level surface such as a countertop, table, or desk. Button presses and screen navigation can be performed from its resting position, as its specially weighted shell and nonskid pad keep it in place. The UNO-TS2D should not be picked up and held in the hand during use or carried from place to place.
- The UNO-TS2D requires a patch cable to connect it to the multiroom system. This cable must be kept away from foot traffic areas so it is not stepped on or tripped over.
- This touchscreen is for interior use only and must be protected from the weather. Do not use the UNO-TS2D near or in a wet environment such as a hot tub, kitchen sink, or bathroom.
- Using the UNO-TS2D Desktop Touchscreen in a manner other than intended may cause unit failure and affect warranty coverage.

RNET

RNET is a two way technology that allows Russound components to communicate with each other.



Russound

5 Forbes Road, Newmarket, New Hampshire 03857 USA

603.659.5170

www.russound.com

Since 1967, innovation, quality and reliability have been the core of the Russound product tradition. Today, Russound offers everything for enjoying multiroom audio-video in your home. All audio-video distributed solutions are built to high standards and designed with the unique consideration of making products that are a pleasure to live with and enjoy.