

Data Sheet

A-BUS® Line-Level Output Module

A-OM



The Russound A-OM Line-Level Output Module provides an easy way to obtain a fixed-level stereo signal from an A-BUS hub without having to make a special adapter. It connects to a keypad port on any A-BUS hub or other A-BUS-ready receiver or multiroom system and converts the A-BUS audio signal to standard line level.

This is useful for sending fixed-level audio signals to an external amplifier or receiver for amplification. The A-OM can be used for zones that require additional power, such as an outdoor zone, or to provide a signal from an A-BUS system to a home theater or stereo receiver.

The A-OM also provides connections for an infrared receiver so the source equipment can be operated from the zone by an IR remote control.

The module can be located with the system controller or hub, or remotely with the amplifier or receiver. It connects to the A-BUS port with a single CAT-5 cable and provides RCA jacks for the audio output. Power for the IR receiver is provided through the CAT-5 cable by the A-BUS hub to which the A-OM is connected.

The compact device easily mounts on any surface.

Specifications

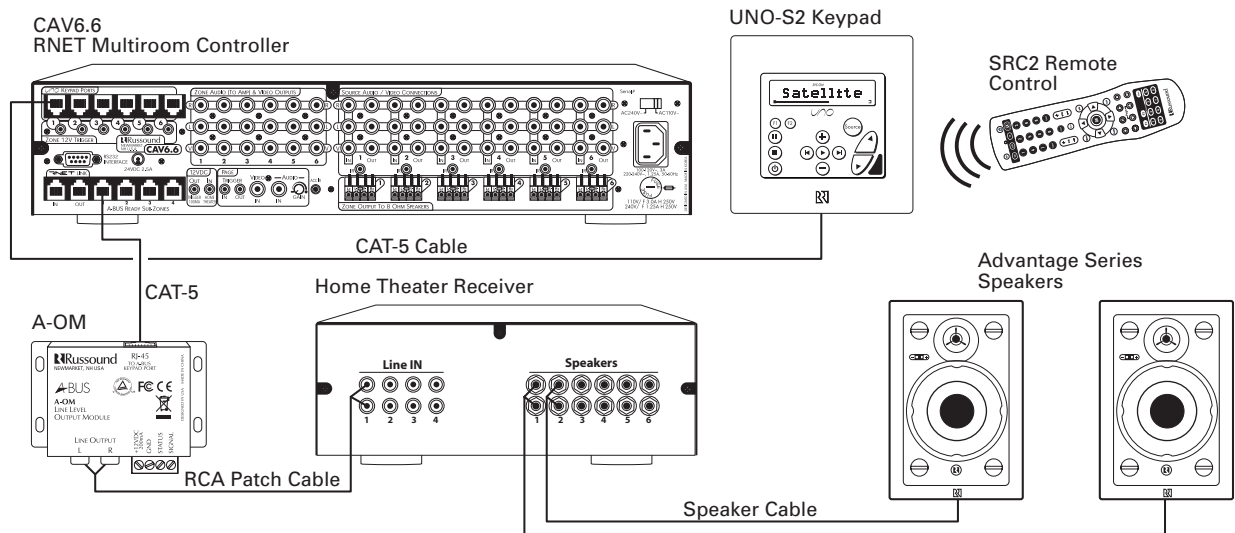
- Input connector: RJ-45 8-pole modular jack
- Output connectors: (2) RCA jacks, left and right audio
- IR receiver connector: Removable 4-pole screw terminal
- Input power (via CAT-5): 24 VDC 200 mA
- Audio output level: 1.2 V
- IR receiver power: 12 VDC 200 mA maximum
- Mounting method: Surface
- Finish: Black
- Dimensions: 3.33" W x 2.38" H x 1.59" D
(8.4 x 6.0 x 4.0 cm)
- Weight: 5.6 oz (158 g)

Accessories

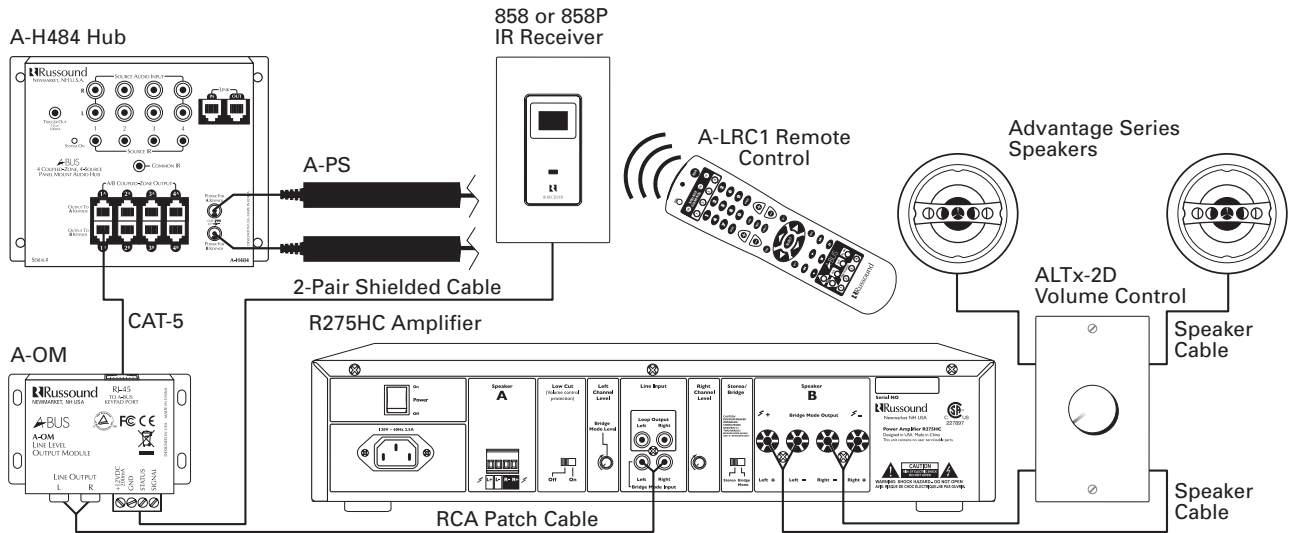
- AWCAT5** 8-conductor, 24-gauge, 4-twisted-pair solid copper CAT-5e cable
- AW2260AB** 4-conductor, 22-gauge, 2-twisted-pair shielded signal cable
- 858** In-wall IR receiver
- 858P** Plasma-friendly in-wall IR receiver
- 860 Phantom** Miniature surface-mount IR receiver
- 860P Phantom** Plasma-friendly miniature IR receiver
- 862 Eye** Flush-mount IR receiver
- 862P Eye** Plasma-friendly flush-mount IR receiver

Typical Applications

Multiroom system with A-BUS subzone ports



A-BUS system



A-BUS® is a registered trademark of LeisureTech Electronics Pty Ltd Australia.



5 Forbes Road, Newmarket, New Hampshire 03857 USA

603.659.5170

www.russound.com

Since 1967, innovation, quality and reliability have been the core of the Russound product tradition. Today, Russound offers everything for enjoying multiroom audio-video in your home. All audio-video distributed solutions are built to high standards and designed with the unique consideration of making products that are a pleasure to live with and enjoy.

©2006 Russound. All rights reserved. All trademarks are the property of their respective owners. Specifications are subject to change without notice. Russound is not responsible for typographical errors or omissions.